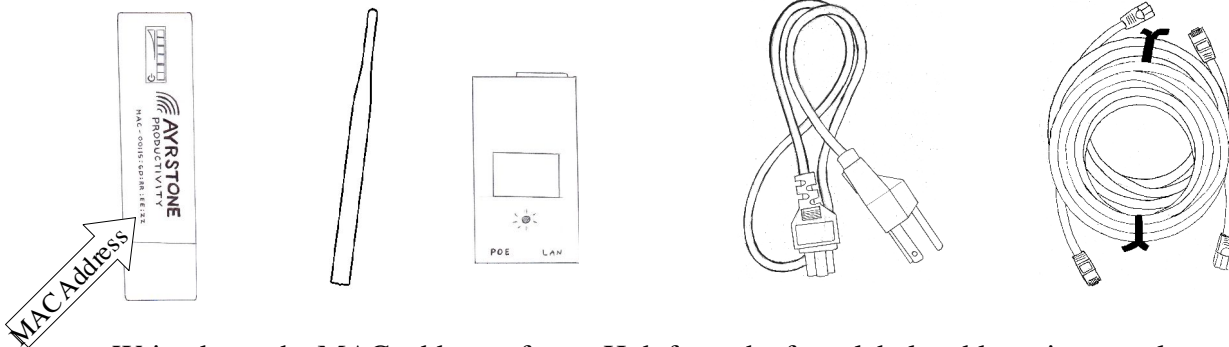




## QUICKSTART GUIDE – AyrMesh Hub

**FIRST:** More detailed instructions, including videos, slide shows, and a troubleshooting guide are available at <http://www.ayrstone.com/support.html>

1. Check the contents of the box; you should find (in order shown): The Hub, the antenna, the power supply, the power cord, and two Ethernet Cables. You'll also find two mounting screws and a zip-tie for mounting the Hub, along with some papers (please keep them safe).

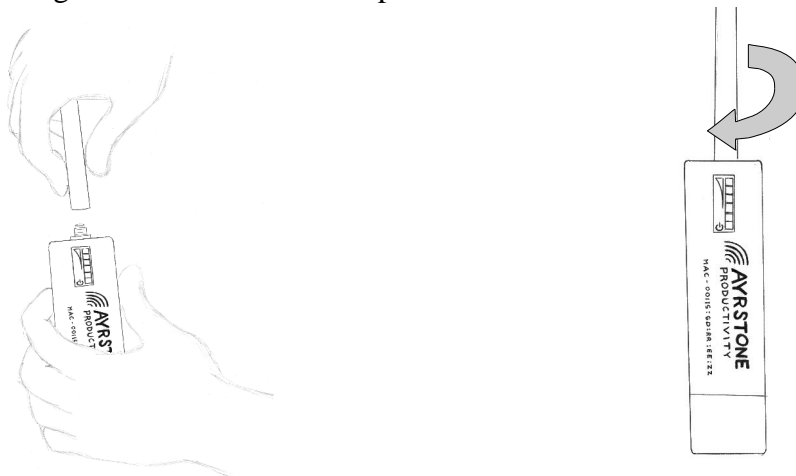


Write down the MAC address of your Hub from the front label and keep it someplace safe.

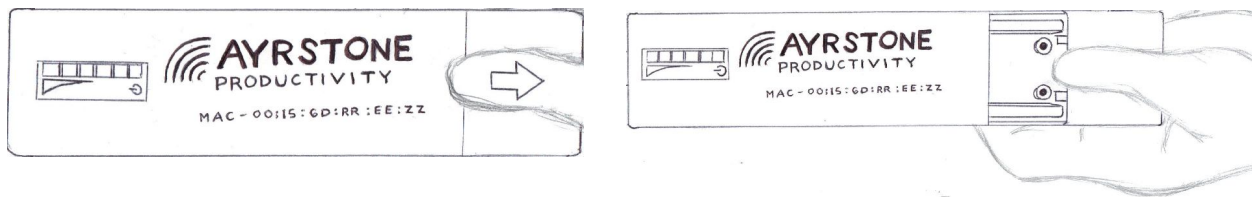
2. Using your home computer, go to [Aymesh.com](http://Aymesh.com) and sign up for an AyrMesh Portal account.



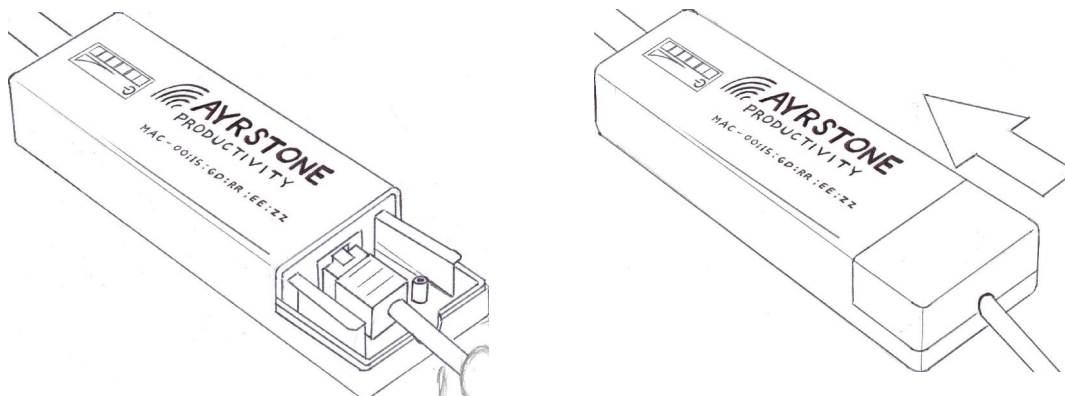
3. After taking your Hub out of the box and removing the little black cap, assemble the hub by screwing the antenna on to the top of the Hub.



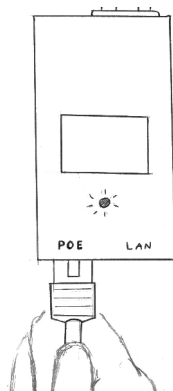
4. Pull the bottom of the cover open with your thumb.



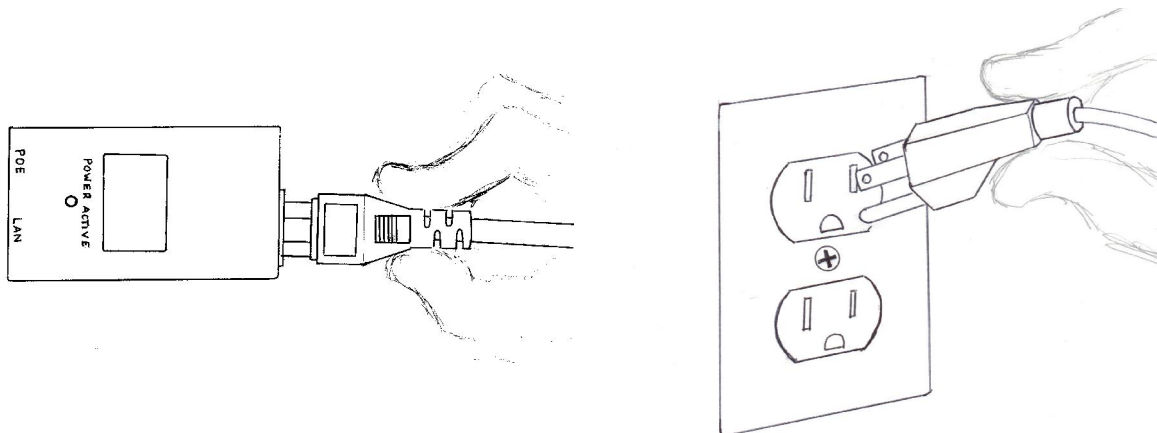
Plug one end of your long Ethernet cable into the port in the Hub. Push the cover back on.



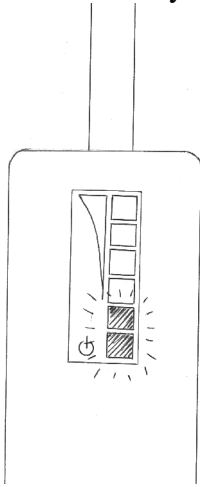
5. Plug the other end of this cable into the POE port on the power supply.



6. Plug the power supply into the wall.



- Plug another Ethernet cable into the LAN port of the power supply, and connect the other end of the cable to one of the LAN ports on your router. The bottom two (green) lights should be lit - the other "signal" lights WILL NOT LIGHT – they are only active on a Remote Hub.



- Check your account on [ayrmesh.com](http://ayrmesh.com) and make sure the Hub is checking in. Log in to [ayrmesh.com](http://ayrmesh.com) and select “Manage Network,” then “Check AyrMesh Hubs;” make sure your Hub is checking in to [ayrmesh.com](http://ayrmesh.com) (may take 10 minutes)

**AYRSTONE**  
PRODUCTIVITY

**Opening Screen**

Date : September 14, 2010 Time : 09:04:41 pm

---

**Hello, bill!**

---

**My Network**

Network Alerts:  
None

[Manage Network](#)



**AYRSTONE**  
PRODUCTIVITY

**Opening Screen - Manage Network**

---

**Alerts**  
None

---

[Check AyrMesh Hubs](#)

[Add AyrMesh Hub](#)

[Edit AyrMesh Hub](#)

[Delete AyrMesh Hub](#)



**AYRSTONE**  
PRODUCTIVITY

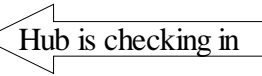
**Opening Screen - Manage Network - Check AyrMesh Hubs**

---

**Ayrmesh Hub Status**

Ayrmesh Hub Name	MAC address	Status	Last Check-In
Name this Hub	00:15:6D:DA:D2:13	Gateway: 192.168.1.125	09:11 pm September 14, 2010

Copyright 2010 - [About Ayrstone Productivity](#) - [Terms and Conditions](#) - [Privacy Policy](#)



9. Test the AyrMesh Hub by using a computer or smartphone to access the internet via Wi-Fi. Click on the Wireless icon on your desktop (Windows 7 is shown; Windows Vista and XP are similar; on MacOS the Wireless icon is on the top right side of the screen) or the Wi-Fi settings on your smartphone.



Select the “AyrMesh” network from the list:

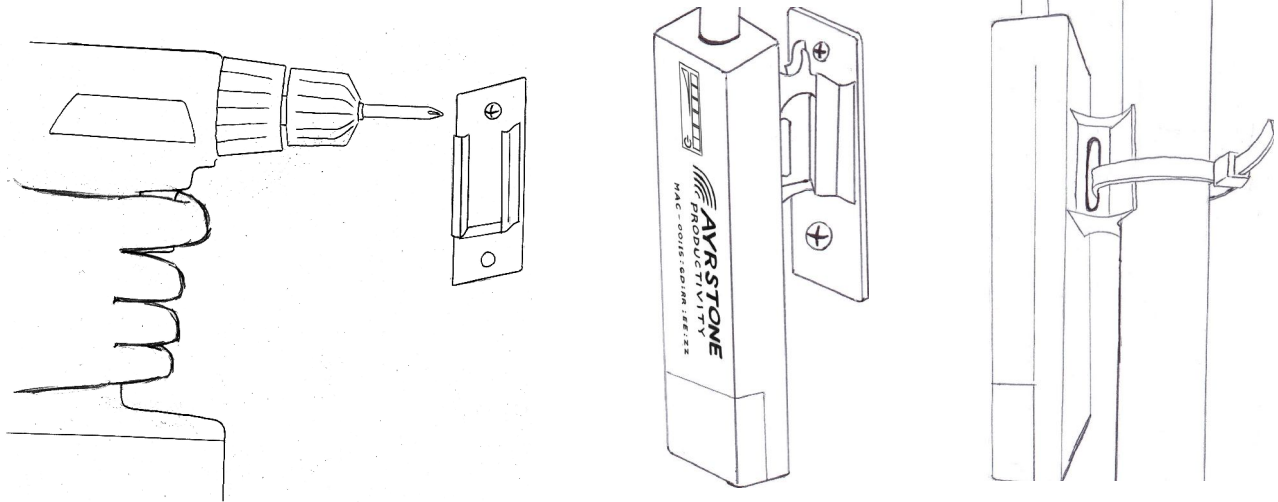


When prompted, enter the Encryption Password (“Ayrmesh1”):



**For maximum security, we recommend changing the encryption password as soon as the Gateway Hub is installed.**

10. Mount the AyrMesh Hub using the included hardware; the higher and clearer of obstructions the better.



The Hub is easily mounted on a wall or post with the included bracket and screws or on a pole with the included zip-tie. Run the long Ethernet cable to it, plug it in, make sure the bottom two lights come on, and you're done!